

STI Horn/Strobe Damage Stoppers®



STI-1221E

PRODUCT OVERVIEW

This virtually indestructible cover (slotted for sounder/strobe unit) is specifically designed to prevent vandalism and accidental damage to a signal unit of a fire alarm system. Moulded in clear, thick UV-stabilised polycarbonate material with slots allowing the sounder or fire voice speaker to be heard. There are a variety of spacers available to accommodate larger sounder/strobe units and retrofits - as well as weather resistance and surface mounted applications. Spacer B has a solid back and is moulded with an integral mounting box. For extreme conditions where dampness, water or dust are frequently present, we recommend using STI's unique, new Enviro Kit.

HOW IT WORKS

Both the cover and circular back box are moulded from clear, thick polycarbonate material that is UV-stabilized against discolouration. It is backed by a three year guarantee against breakage in normal use.

KEY FEATURES

General Information

- This super tough cover is designed to provide maximum protection against physical damage both accidental and intentional.
- Three year guarantee against breakage of polycarbonate in normal use.

Design

- Protects sounder and strobe units from vandalism and accidental damage.

Construction

- Tough polycarbonate housing can withstand the severest of knocks.

Installation

- Retrofits over the device to be protected.
- Comes complete with mounting hardware.
- Typical working properties of polycarbonate are -40°C to 121°C (-40° to 250°F)

Options

- Open back with conduit knockouts and the slots allow the sounder to be heard.
- Easy access for servicing protected device.
- Optional depth spacers and back boxes for weather proofing are also available within this model range.



STI Horn/Strobe Damage Stoppers®

Dimensions and Technical Information

MODELS AVAILABLE

STI-1210A	Horn/Strobe Damage Stopper cover and enclosed back box, 4" deep, weather resistant
STI-1210B	Horn/Strobe Damage Stopper cover and enclosed back box with double-gang outlet box
STI-1210C	Horn/Strobe Damage Stopper cover open back box with external mounting tabs
STI-1210D	Horn/Strobe Damage Stopper cover and open back box with conduit knockout
STI-1210E	Horn/Strobe Damage Stopper cover and open back box for flush mount
STI-1221A	Strobe Damage Stopper cover and enclosed back box, 4" deep, weatherproof with drain vent, NEMA 3R
STI-1221A4X	Strobe Damage Stopper cover and enclosed back box 4" deep, weatherproof, NEMA 4X
STI-1221B	Strobe Damage Stopper cover and solid enclosed back box and double-gang outlet box
STI-1221C	Strobe Damage Stopper cover and open back box with external mounting tabs
STI-1221D	Strobe Damage Stopper cover and open back box with conduit knockout
STI-1221E	Strobe Damage Stopper cover and open back box for flush mount
KIT-84	Tamper resistant screws
KIT-121	Enviro kit for D and E models
KIT-122	Enviro kit for B and C models
KIT-06297D	"D" spacer only
KIT-06297E	"E" spacer only
STI-1283	Backplate for "D" and "E" models
19038	Bit for tamper resistant screws
KIT-6297B20	3/4" conduit hub for "B" and "C" back box

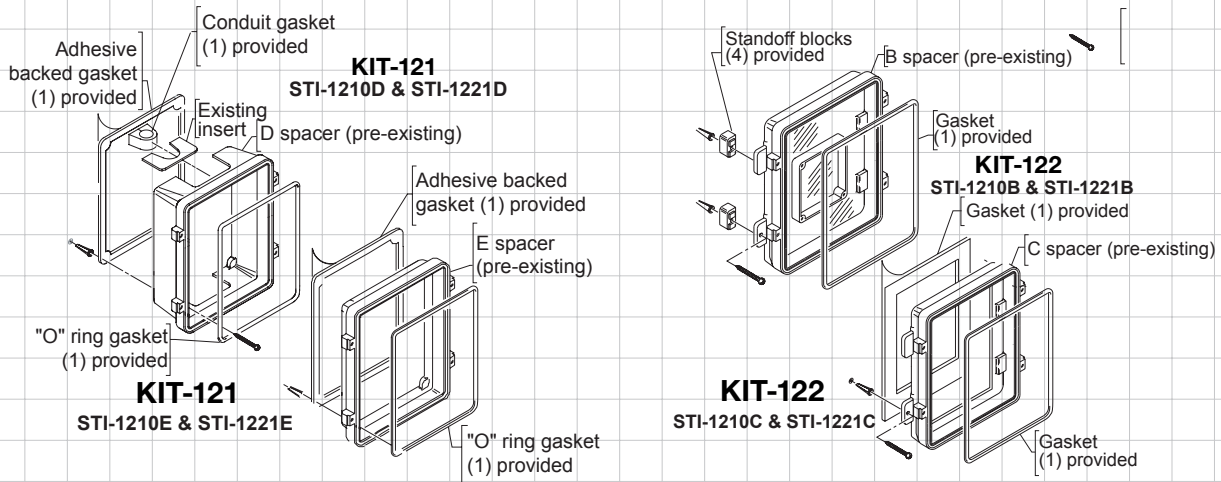
APPROVALS

It has been tested and approved or listed by:

- Underwriter Laboratories and Canadian UL File S7025
- cUL approval for UL 1638 only
- CSFM needs local approval
- MEA STI-1210 and STI-1221 series only
- UL Listed for fire voice speakers for STI-1210 series only
- ADA Compliant

SPACERS

- A** = Enclosed back box, 4" deep (includes neoprene gasket)
- A4X** = Enclosed back box, 4" deep NEMA 4X (includes silicone gasket)
- B** = Enclosed back box with double-gang outlet box
- C** = Open back box with external mounting tabs
- D** = Open back box with conduit knockout
- E** = Open back box for flush mount



**Safety Technology
International**